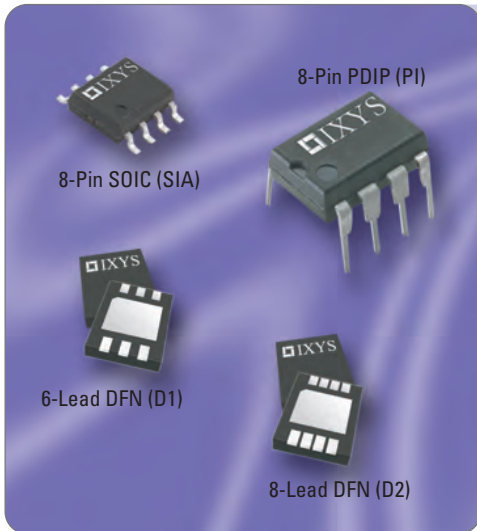


Low-Side Gate Driver ICs from 2A to 14A

Next Generation IXD_5XX Low-Side Gate Drivers With Improved Cost-Efficiency, Circuit Density and Ruggedness for MOSFETs and IGBTs



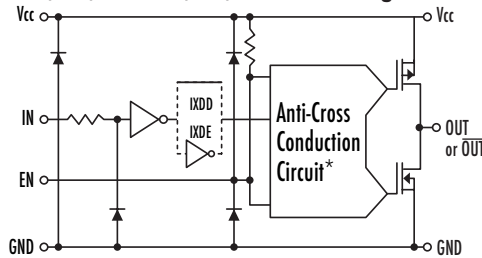
Features

- Diverse choice of single and dual outputs, with extensive mix of logic, packaging and output currents
- Enable options for fast, controlled shutdown
- Rated for operation from 4.5V to 35V and -55°C to +125°C
- Multiple packaging options, including high density 6-Lead DFN and 8-Lead DFN (4mm x 5mm)
- No internal cross conduction, output rise and fall times of 25ns maximum

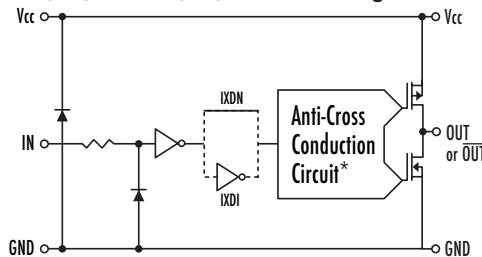
Applications

- Industrial – Inverters, Motor Drives, Welding
- Consumer – LCD TV, Audio Amplifiers
- Power Conversion – SMPS, UPS, PFC
- Actuators – Relays, Solenoids

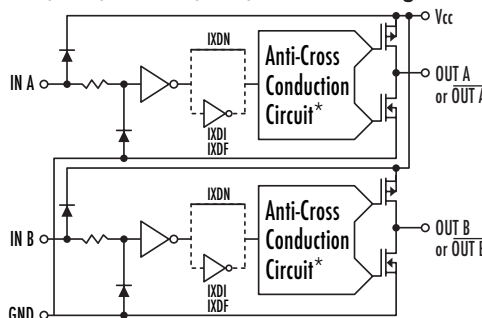
IXD(D,E)509, IXD(D,E)514 Block Diagram



IXD(I,N)509, IXD(I,N)514 Block Diagram



IXD(F,I,N)502, IXD(F,I,N)504 Block Diagram



* United States Patent 6,917,227

Summary Tables for IXD_5XX Low-Side Gate Driver Family

Part Numbers and Configurations

Part Number	I_{PK} @ $T_C = 25^\circ\text{C}$	Logic Configuration(1)	Package(2)
IXD(1)502(2)	2 A, Dual	F, I, N	PI, SIA, SIAT/R, D1, D1T/R
IXD(1)504(2)	4 A, Dual	F, I, N	PI, SIA, SIAT/R, D1, D1T/R
IXD(1)504(2)	4 A, Dual	D, E	PI, SIA, SIAT/R, D2, D2T/R
IXD(1)509(2)	9 A, Single	D, E, I, N	PI, SIA, SIAT/R, D1, D1T/R
IXD(1)514(2)	14 A, Single	D, E, I, N	PI, SIA, SIAT/R, D1, D1T/R

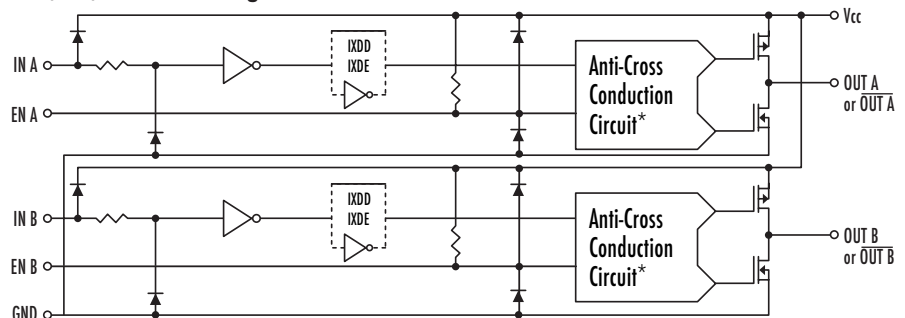
Logic Configurations

Designation	Configuration	Designation	Configuration
D	Non-Inverting + Enable	I	Inverting
E	Inverting + Enable	N	Non-Inverting
F	Non-Inverting and Inverting		

Package Details

Designation	Package	Packing Style	Pack Qty
PI	8-Pin PDIP	Tube	50
SIA	8-Pin SOIC	Tube	94
SIAT/R	8-Pin SOIC	13" Tape and Reel	2500
D1	6-Lead DFN	Bulk	1500
D1T/R	6-Lead DFN	13" Tape and Reel	2500
D2	8-Lead DFN	Bulk	1500
D2T/R	8-Lead DFN	13" Tape and Reel	2500

IXD(D,E)504 Block Diagram



www.ixys.com

Efficiency Through Technology

